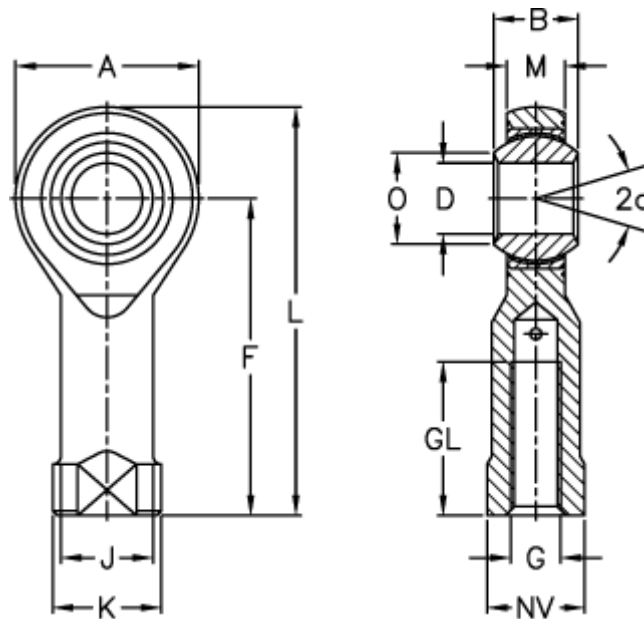


Article number: 03211025

Description: Fluro Rod End GILXSW 25
Zinc Plated with left-handed thread

Measures



| | | | | |
|---------------------|---------|---------------------|--------|------------------|
| A | = 60 | J | = 33.5 | Weight (g) = 750 |
| a (degrees) | = 15 | K | = 42 | |
| B | = 31 | L | = 124 | |
| D | = 25 | M | = 22 | |
| Dynamic load C (kN) | = 122 | NV | = 36 | |
| F | = 94 | O | = 29.6 | |
| G | = M24x2 | Permissible rpm | = 150 | |
| GL | = 42 | Static load C0 (kN) | = 135 | |